



IPC Integrated Professional Cleaning

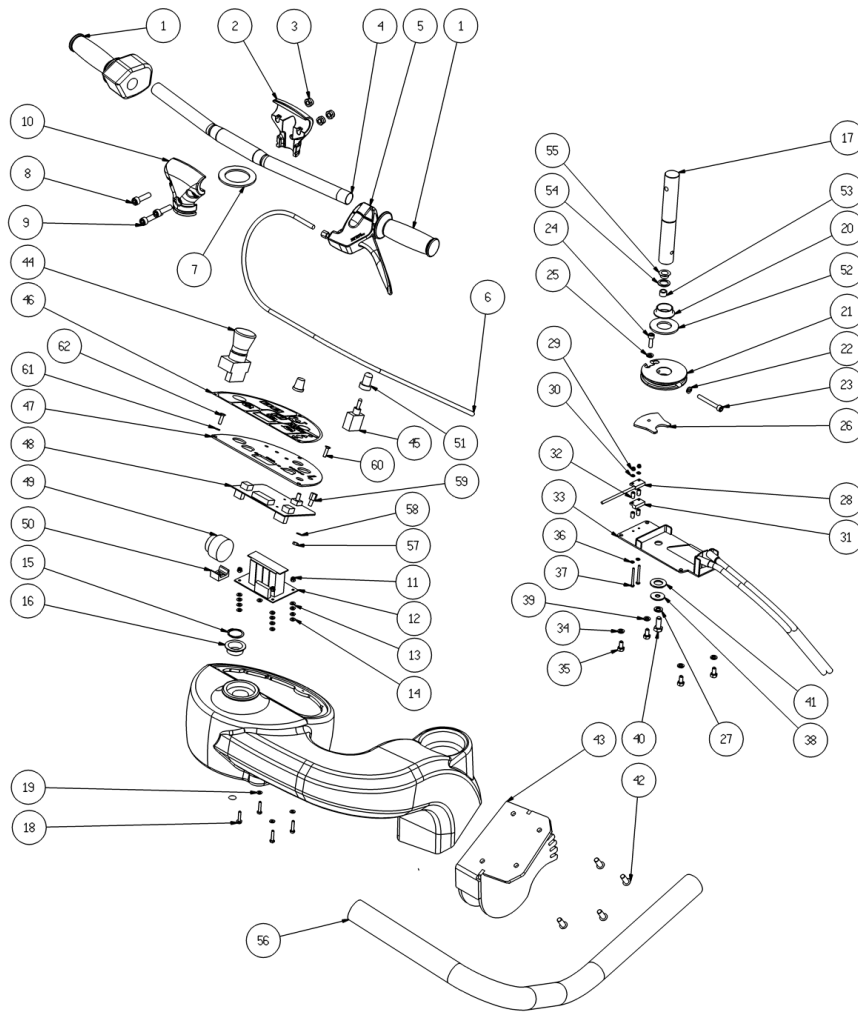
IPC Gansow

Spare Parts List

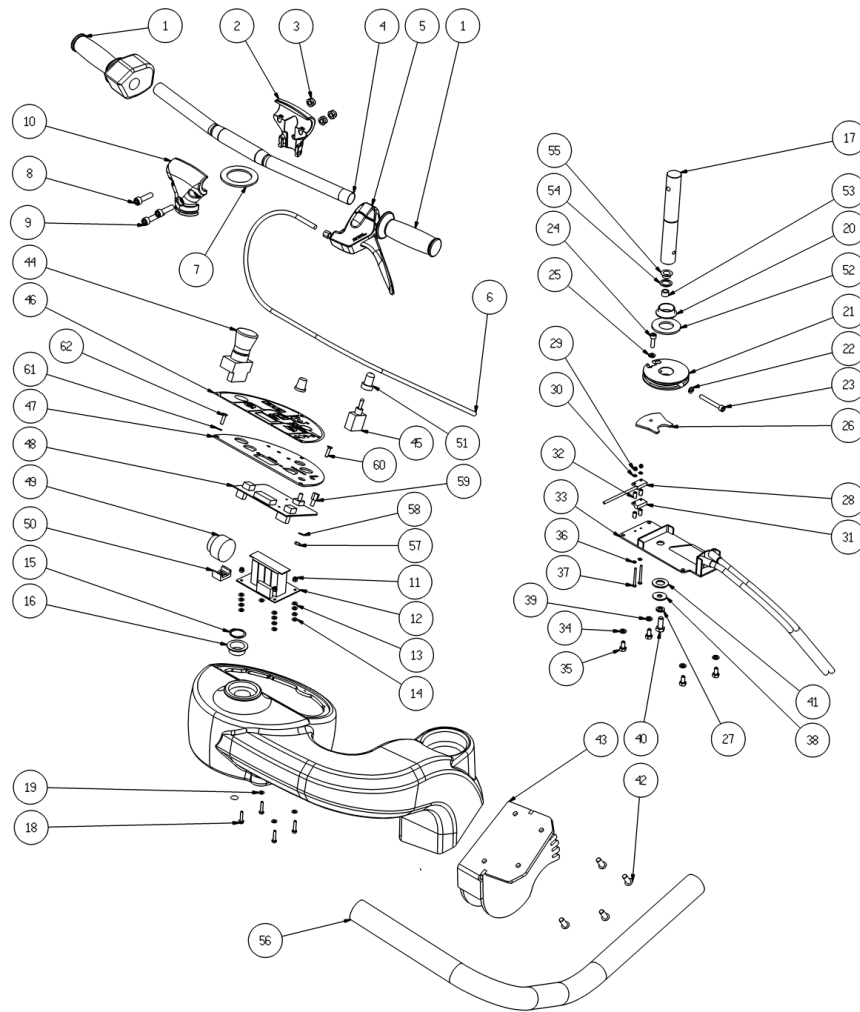
FALAMAK MACHINE CO. ADD:NO.6,U

Ref: LPTB02401

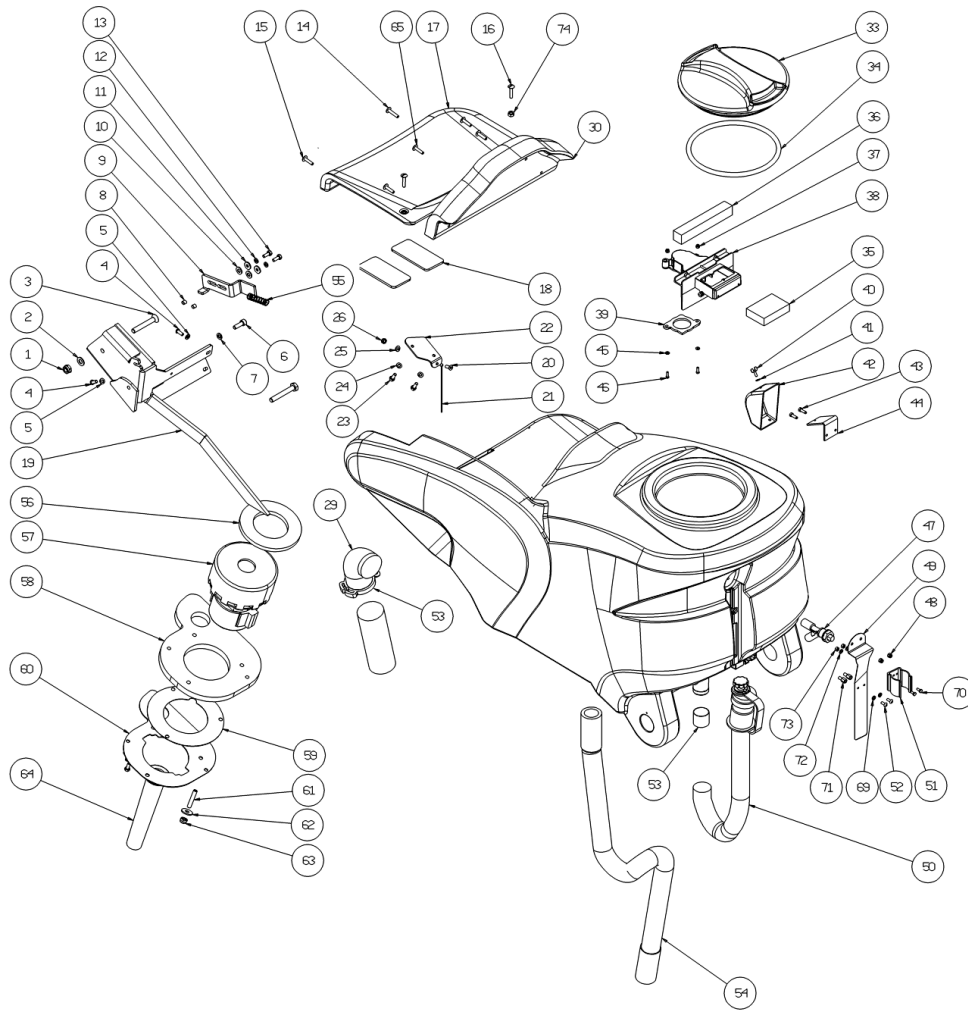
Model: CLEANTIME 70 RIDER BT70



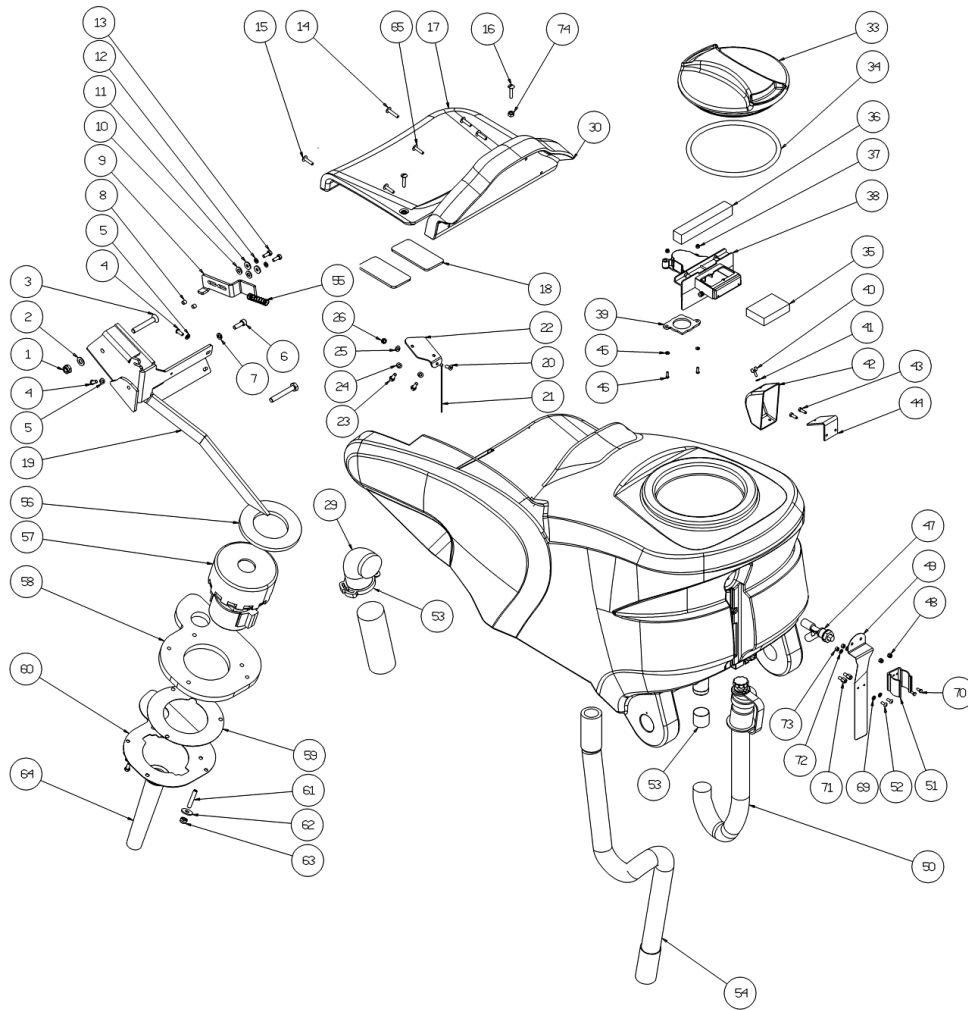
Ref. K	Part N.	Customer Part N.	Description	Qty	Validity:		Price
					From	To	
0001	MECE00477		ACCELERATOR 5K	1,00			--
0002	MFVR00215		SUPPORT	1,00			--
0003	VTDD01695		NUT M 8 INX	3,00			--
0004	LAFN06905		HANDLEBAR -	1,00			--
0005	CMCV40002		LEVER D.22 C/STZ. MN. C.16	1,00			--
0006	CMCV00436		CABLE FRENI	1,00			--
0007	MPVR05632		FLANGE -	1,00			--
0008	VTVT00822		SCREW TCEI M 8-30	2,00			--
0009	VTVT06241		CARRYNG BAG	1,00			--
0010	MFVR00214		SUPPORT	1,00			--
0011	VTDD15925		NUT M 4 INX	4,00			--
0012	MECE00482		BOARD CT70R	1,00			--
0013	VTRS00515		WASHER D. 4 INX	8,00			--
0014	VTRS00515		WASHER D. 4 INX	8,00			--
0015	VTAE00018		SEEGER E25x1,2 DIN471	1,00			--
0016	MPVR05408		BUSHING CB	1,00			--
0017	LAFN06906		AXLE STERZO	1,00			--
0018	VTVT00727		SCREW TE M. 4-20	4,00			--
0019	VTRS00515		WASHER D. 4 INX	4,00			--
0020	MPVR05408		BUSHING CB	1,00			--
0021	MTPL00201		PULLEY -	1,00			--
0022	VTRS15144		WASHER D. 6 INX GRW UNI 1751	1,00			--
0023	VTVT00261		SCREW TCEI M 6X50 ZC. UNI 5931	1,00			--
0024	VTVT00428		SCREW TCEI 6X20 UNI5931 INX	1,00			--
0025	VTRS15144		WASHER D. 6 INX GRW UNI 1751	1,00			--
0026	LAFN07619		PLATE -	1,00			--
0027	VTRS15146		WASHER D. 8 INX GRW UNI 1751	1,00			--
0028	MECI00560		SENSOR SMP14-C-001	1,00			--
0029	VTDD00210		NUT M 3 INOX	2,00			--
0030	VTRS21116		WASHER D. 3 INX	2,00			--
0031	MEVR01745		BLOCK	1,00			--
0032	MPVR05636		SPACER -	4,00			--
0033	LAFN06907		BOX STERZO	1,00			--
0034	VTRS15144		WASHER D. 6 INX GRW UNI 1751	4,00			--
0035	VTVT15143		SCREW TE 6X16 UNI5739	4,00			--
0036	VTRS21116		WASHER D. 3 INX	2,00			--
0037	VTVT00691		CARRYNG BAG	2,00			--
0038	VTRS13946		WASHER D. 8 X24 INX UNI 6593	1,00			--
0039	VTRS15146		WASHER D. 8 INX GRW UNI 1751	1,00			--



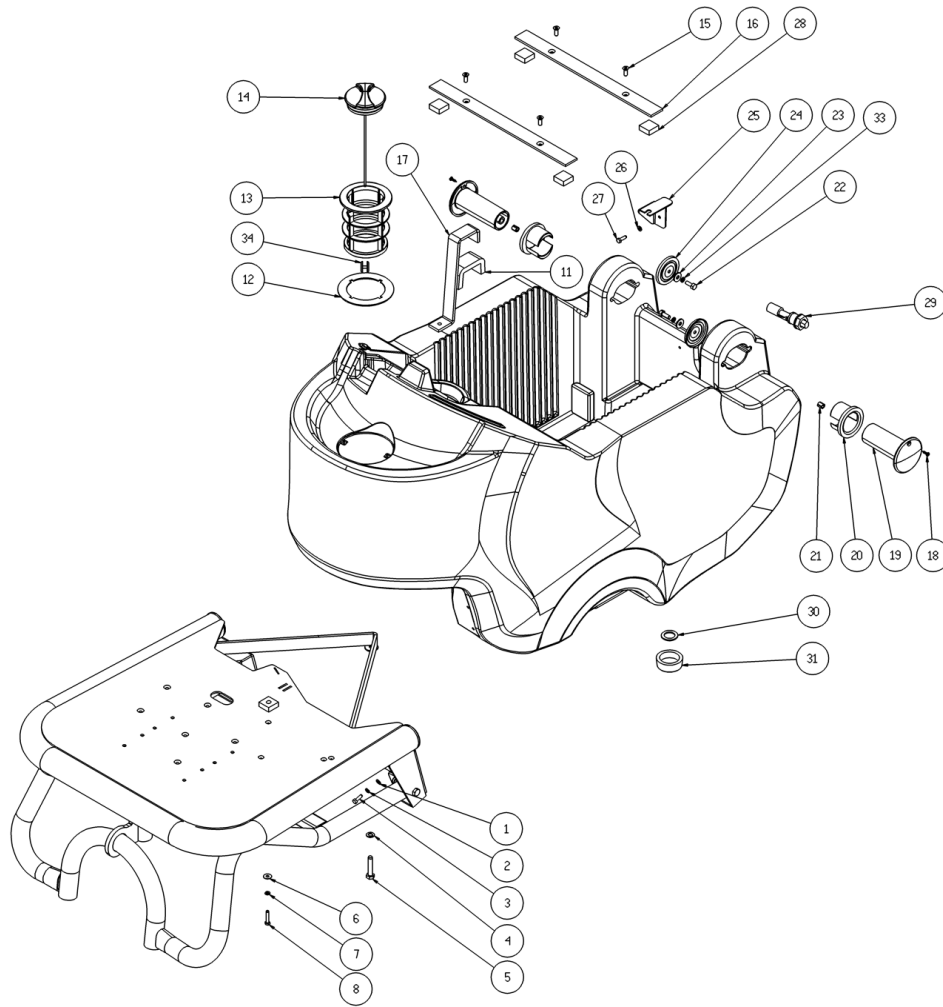
Ref. K	Part N.	Customer Part N.	Description	Qty	Validity:		Price
					From	To	
0040	VTVT13938		SCREW TE 8X20 UNI5739 INX	1,00			--
0041	VTRS00250		WASHER D.14	1,00			--
0042	VTVT49163		SCREW TBEI M 8X 20 ISO 7380 IX	4,00			--
0043	LAFN06909		PLATE SELETTORE	1,00			--
0044	MECI00402		BUTTON A FUNGO	1,00			--
0045	MECI30499		SWITCH 10A - 250VAC	1,00			--
0046	ETET01589		LABEL RIDER	1,00			--
0047	LAFN06901		SUPPORT PLANCIA	1,00			--
0048	MECE00480		BOARD RIDER	1,00			--
0049	MEVR01436		BUZZER -	1,00			--
0050	FSVR00243		CLAMP 20/30	1,00			--
0051	MEVR01975		RUBBER DEVIATORE	1,00			--
0052	VTRS00276		CARRYNG BAG	1,00			--
0053	LAFN08823		SPACER -	1,00			--
0054	VTRS00376		WASHER 15x21	1,00			--
0055	CUVR00186		BEARING -	1,00			--
0056	MPVR05795		SHEATH -	1,00			--
0057	VTDD21115		NUT M 3 INOX	3,00			--
0058	VTRS00268		WASHER D.3	3,00			--
0059	VTVR00481		INSERT FILETTATO M6	3,00			--
0060	VTVT00865		SCREW TSP-TC M 3X 6 UNI7688 INX	3,00			--
0061	VTRS00515		WASHER D. 4 INX	3,00			--
0062	VTVT37012		SCREW M 4X 10 TCB-TC INX	3,00			--



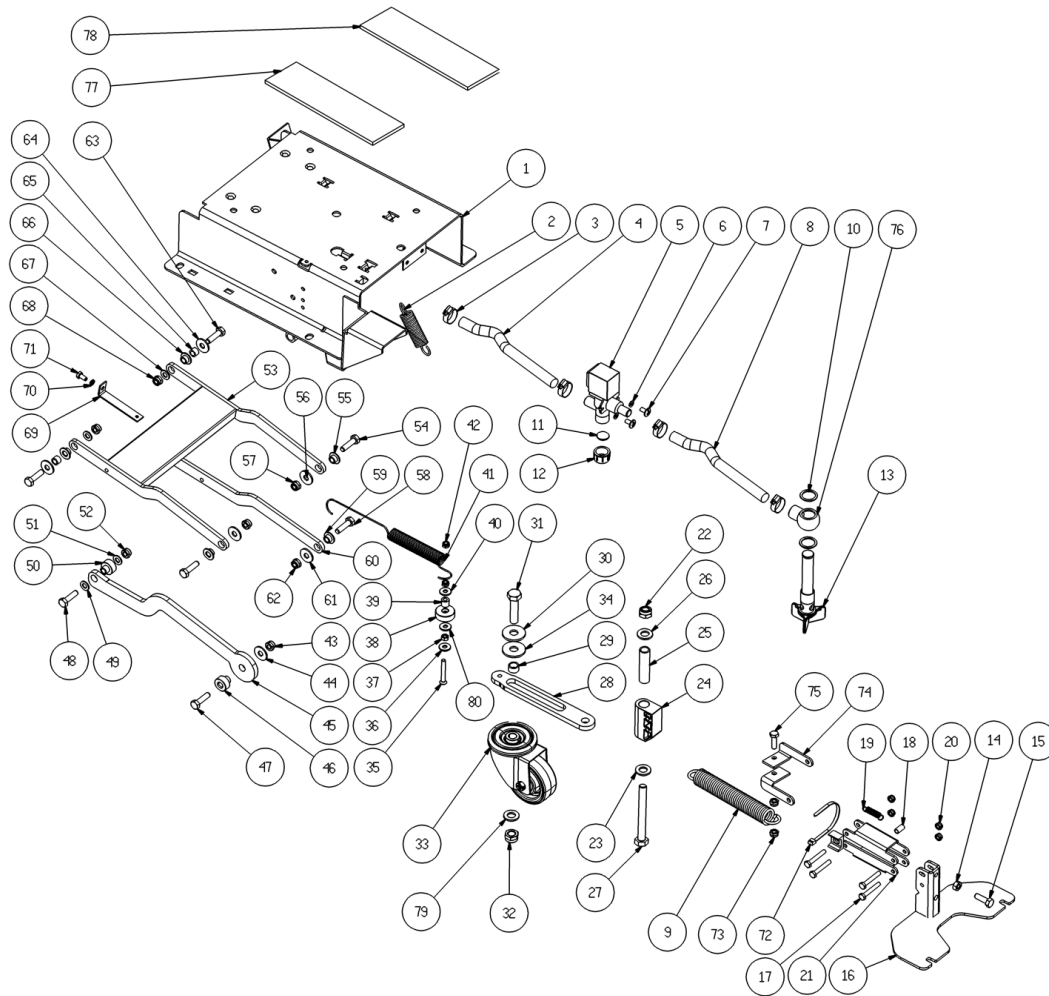
Ref. K	Part N.	Customer Part N.	Description	Qty	Validity:		Price
					From	To	
0001	VTDD15519		NUT M10 INOX	1,00			--
0002	VTRS15523		WASHER D.10 X21 INOX UNI 6592	1,00			--
0003	VTVT01685		SCREW TSPEI M.10X70	1,00			--
0004	VTVT00787		SCREW TBEI M 6-16	2,00			--
0005	VTRS15144		WASHER D. 6 INX GRW UNI 1751	2,00			--
0006	VTVT00639		SCREW TCEI 8X25	1,00			--
0007	VTRS15146		WASHER D. 8 INX GRW UNI 1751	1,00			--
0008	LAFN07202		SPACER -	2,00			--
0009	LAFN06908		HOOK -	1,00			--
0010	VTRS00274		WASHER NYLON 66 D.8,4-17-2 UNI	2,00			--
0011	VTRS13945		WASHER D. 6X18 INX UNI 6593	2,00			--
0012	VTRS15144		WASHER D. 6 INX GRW UNI 1751	2,00			--
0013	VTVT15143		SCREW TE 6X16 UNI5739	2,00			--
0014	VTVT01007		SCREW 6X30	3,00			--
0015	VTVT01006		SCREW 6X25	1,00			--
0016	VTVT01006		SCREW 6X25	1,00	12/2010		--
0016	VTVT01007		SCREW 6X30	1,00		11/2010	--
0017	MPVR05393		SEAT CT70 RIDER	1,00			--
0018	MEVR00148		DASHBOARD SEDILE	1,00			--
0019	LAFN06910		PLATE SERBATOIO	1,00			--
0020	VTVT00832		SCREW TSPEI M6X16 INOX	1,00			--
0021	CMCV00360		CABLE -	1,00			--
0022	LAFN07607		BRACKET -	1,00			--
0023	VTVT15143		SCREW TE 6X16 UNI5739	2,00			--
0024	VTRS15144		WASHER D. 6 INX GRW UNI 1751	2,00			--
0025	VTRS00245		WASHER D.6 UNI 6592 INOX	1,00			--
0026	VTDD01694		NUT M 6 INX	1,00			--
0029	MPVR05790		SLEEVE	1,00			--
0030	MPVR05775		SHEET METAL PA.	1,00			--
0033	MPVR04051		TANK CAP	1,00			--
0034	GUGO00263		GASKET CIRCOLARE TAPPO	1,00			--
0035	FTDP00133		FILTER	1,00			--
0036	GUGO00418		GASKET CONDOTTO ASPIRAZIONE	1,00			--
0037	VTDD15925		NUT M 4 INX	2,00			--
0038	MPVR05482		BOX -	1,00			--
0039	GUGO00417		GASKET SCATOLA ASPIRAZIONE	1,00			--
0040	VTVT01150		SCREW 4x10	1,00			--
0041	VTRS00570		WASHER -	1,00			--
0042	MPVR05596		PROTECTION -	1,00			--



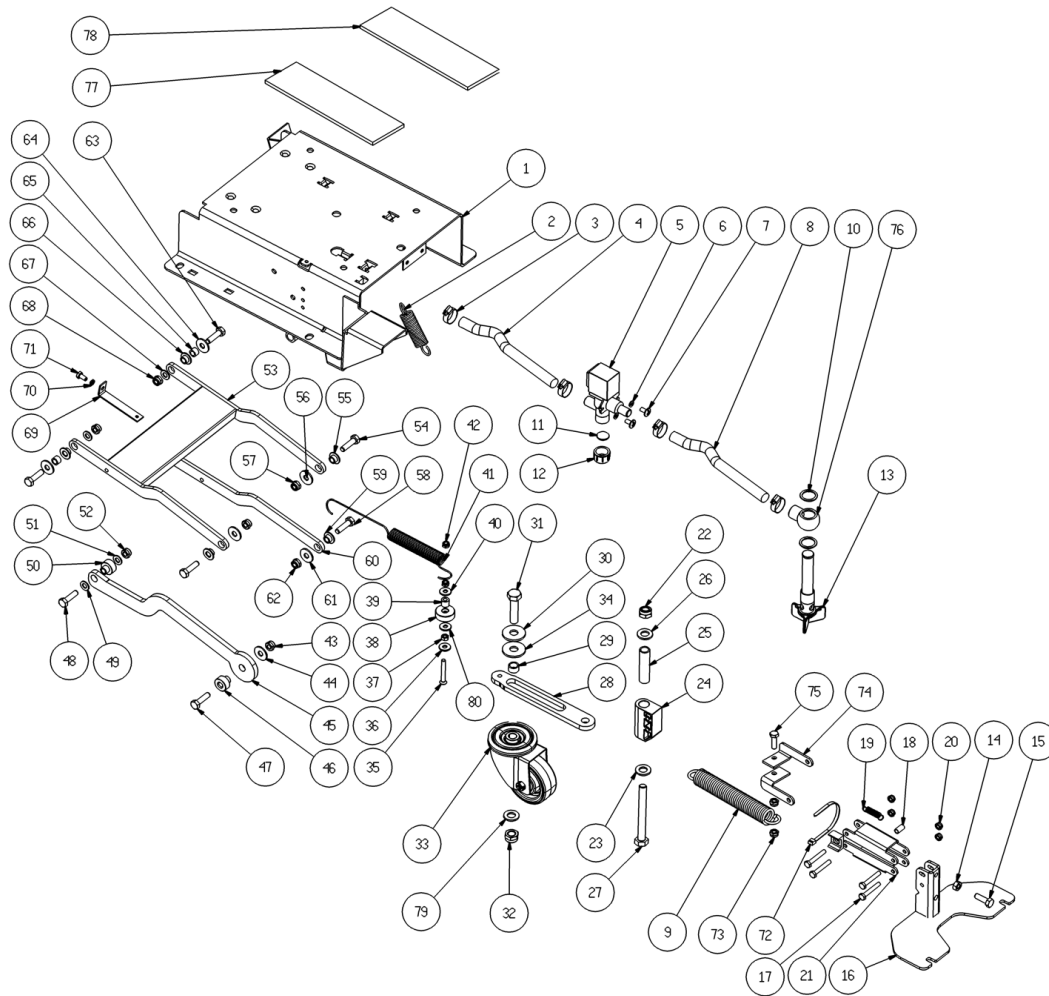
Ref. K	Part N.	Customer Part N.	Description	Qty	Validity: From To	Price
0043	VTVT07725		SCREW TE 5X16 UNI5739 INX	2,00		--
0044	LAFN07728		BRACKET -	1,00		--
0045	VTRS00251		WASHER 4-16 INOX A2	2,00		--
0046	VTVT00873		CARRYNG BAG	2,00		--
0047	MECI00516		SENSOR DI LIVELLO ORIZZONTALE	1,00		--
0048	VTDD01693		NUT M 5 INX	2,00		--
0049	LAFN07624		PROTECTION -	1,00		--
0050	TBBP00456		TUBE CT40/70	1,00		--
0051	MPVR46988		CLIP LAV. SHK	1,00		--
0052	VTVT37012		SCREW M 4X 10 TCB-TC INX	2,00		--
0053	FSVR00254		CLAMP -	1,00		--
0054	TBFX00337		TUBE L=1100	1,00		--
0055	MLML38415		SPRING E350 II	1,00		--
0056	GUGO00272		GASKET	1,00		--
0057	MOCC00342		VACUUM CLEANER 24V	1,00		--
0058	MPVR05103		SOUND-PROOFING ASPIRATORE	1,00		--
0059	MPVR04724		FLANGE IN NYLON	1,00		--
0060	LAFN06363		FLANGE ASPIRATORE	1,00		--
0061	VTVT00900		GRUB SCREW M 6-30 CON ES	3,00		--
0062	VTRS13945		WASHER D. 6X18 INX UNI 6593	3,00		--
0063	VTDD01694		NUT M 6 INX	3,00		--
0064	MPVR05635		TUBE -	1,00		--
0065	VTVT01370		SCREW M6X35	4,00		--
0067	RCVR00545		CONNECTOR 90°	1,00		--
0068	VTVT48694		SCREW TCB TC 5 X12 UNI 9707 TZ	1,00		--
0069	VTRS15913		WASHER D. 4 GROVER A2 UNI1751	2,00		--
0070	VTVT21096		SCREW TE M 4X 10 INX	2,00		--
0071	MPVR05794		SPACER -	2,00		--
0072	VTRS00515		WASHER D. 4 INX	2,00		--
0073	VTDD00055		NUT M 4 ATB A2	2,00		--
0074	VTDD01694		NUT M 6 INX	1,00	12/2010	--



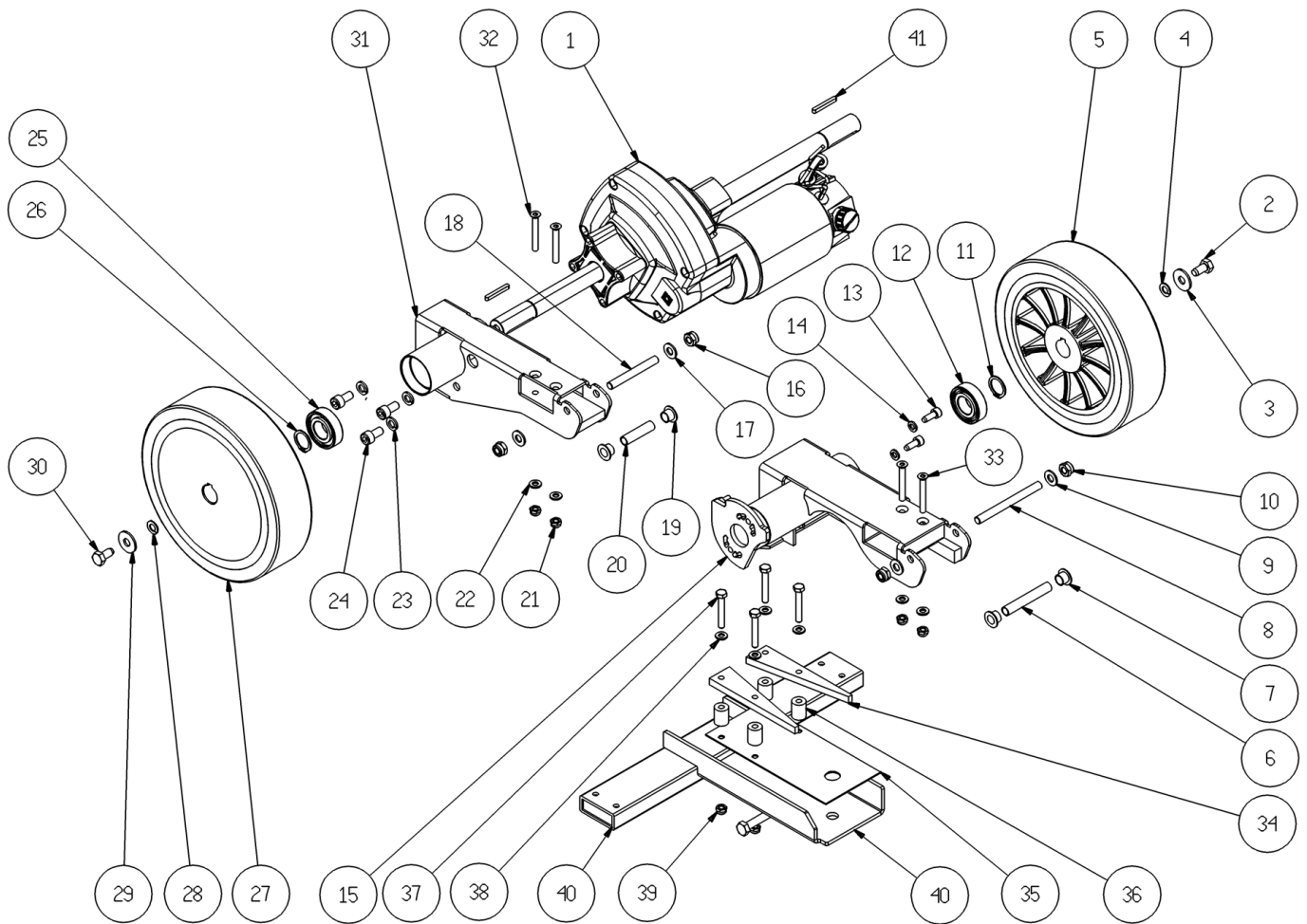
Ref. K	Part N.	Customer Part N.	Description	Qty	Validity:		Price
					From	To	
0001	VTRS13750		WASHER D. 5X14 INX	4,00			--
0002	VTRS15908		WASHER D. 5 INX GRW UNI 1751	4,00			--
0003	VTVT01300		SCREW TE M5X12 INOX	4,00	12/2010		--
0003	VTVT07725		SCREW TE 5X16 UNI5739 INX	4,00		11/2010	--
0004	VTRS15146		WASHER D. 8 INX GRW UNI 1751	2,00			--
0005	VTVT00708		SCREW TE M. 8-40	2,00			--
0006	VTRS13750		WASHER D. 5X14 INX	2,00			--
0007	VTRS15908		WASHER D. 5 INX GRW UNI 1751	2,00			--
0008	VTVT00766		SCREW TE M. 5-25	2,00			--
0011	MPVR05642		THICKNESS -	1,00			--
0012	GUGO00267		GASKET FILTRO	1,00			--
0013	FTAC00041		FILTER -	1,00			--
0014	MPVR05188		CAP -	1,00			--
0015	VTVT00832		SCREW TSPEI M6X16 INOX	4,00			--
0016	LAFN07604		PLATE -	2,00			--
0017	LAFN07751		BRACKET -	1,00			--
0018	VTVT48694		SCREW TCB TC 5 X12 UNI 9707 TZ	2,00			--
0019	MPVR48695		PIN SHK.BK	2,00			--
0020	PMVR02028		RUBBER GRUPPO MONTAGGIO	2,00			--
0021	VTVR48693		INSERT M6 D.9	2,00			--
0022	VTVT15143		SCREW TE 6X16 UNI5739	2,00			--
0023	VTRS13945		WASHER D. 6X18 INX UNI 6593	2,00			--
0024	LAFN07800		SHEET METAL PA.-	2,00			--
0025	LAFN06925		BRACKET -	1,00			--
0026	VTRS15908		WASHER D. 5 INX GRW UNI 1751	1,00			--
0027	VTVT01300		SCREW TE M5X12 INOX	1,00			--
0028	MPVR05743		THICKNESS -	4,00			--
0029	MECI00516		SENSOR DI LIVELLO ORIZZONTALE	1,00			--
0030	GUGO00416		GASKET TAPPO SCARICO SERB.	1,00			--
0031	MPVR04931		CAP SCARICO	1,00			--
0032	MPVR02944		CAP DOPPIO DI FISSAGGIO	1,00			--
0033	VTRS15144		WASHER D. 6 INX GRW UNI 1751	2,00			--
0034	MPVR02944		CAP DOPPIO DI FISSAGGIO	1,00			--



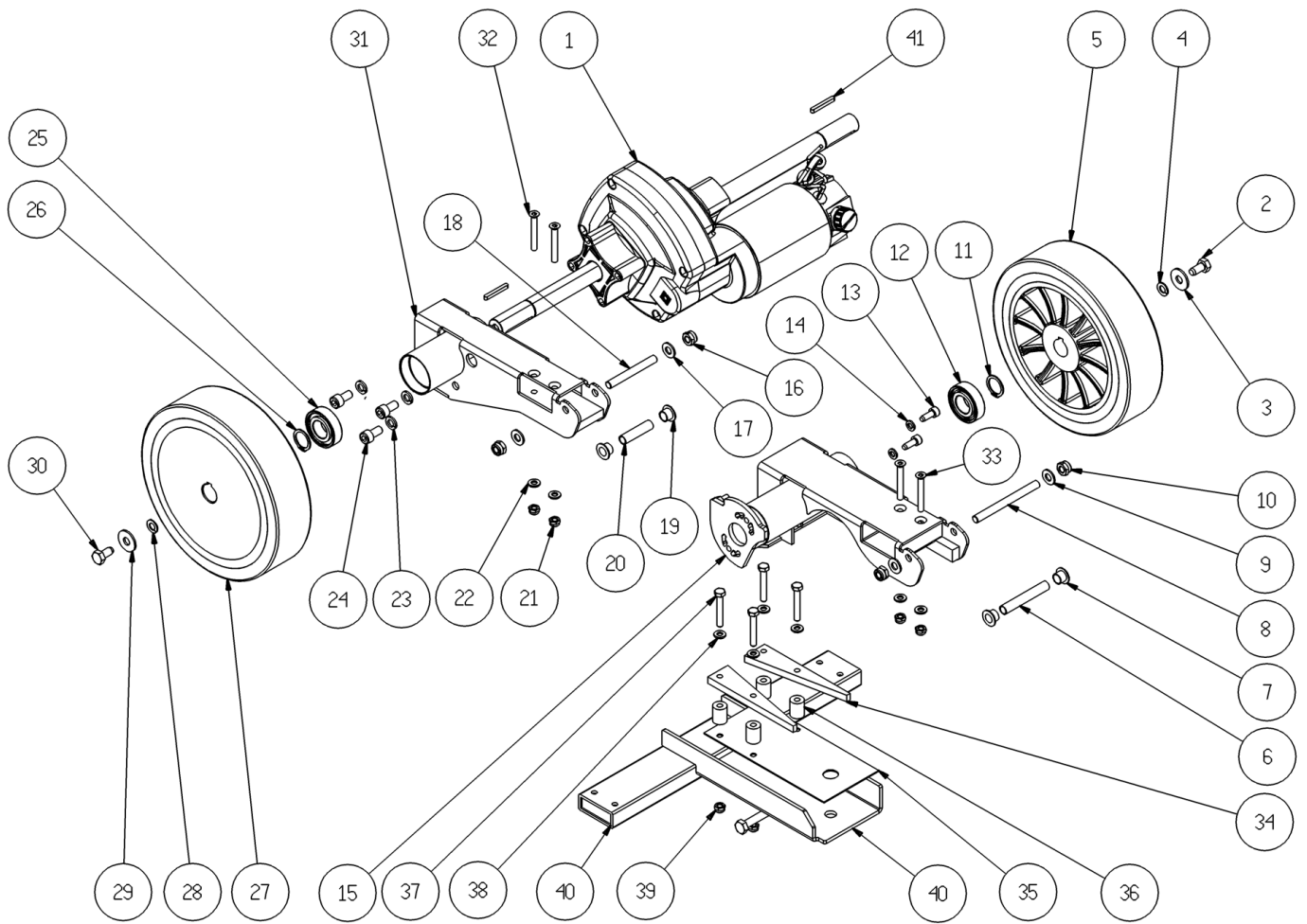
Ref. K	Part N.	Customer Part N.	Description	Qty	Validity:		Price
					From	To	
0001	LAFN06923		BASE -	1,00			--
0002	MLML00325		SPRING -	1,00			--
0003	FSVR00428		CLAMP D. 12-20	4,00			--
0005	MEEV00018		SOLENOID VALVE	1,00			--
0006	VTRS00516		WASHER D. 5 INX	2,00			--
0007	VTVT48694		SCREW TCB TC 5 X12 UNI 9707 TZ	2,00			--
0009	MLML31105		SPRING D. 17.5 X105 N36	1,00			--
0010	VTRS00567		WASHER 1/2	2,00			--
0011	GUGO00268		GASKET D.21 SP.3 GOMMA	1,00			--
0012	RCVR00353		CAP 1/2"G X ELETTRIV. ACL	1,00			--
0013	MPVR05221		FILTER COMPLETO	1,00			--
0014	VTDD15521		NUT M 8 INX A2 UNI 5588	1,00			--
0015	VTVT13937		SCREW TE M 8X 30 INX UNI 5739	1,00			--
0016	LAFN07560		PLATE -	1,00			--
0017	VTVT15145		SCREW TE 6X40 UNI5739 INX	4,00			--
0018	LAFN06898		SPACER 6-8 h15	1,00			--
0019	MLML00303		SPRING REGISTRAZIONE FLAP	1,00			--
0020	VTDD01694		NUT M 6 INX	4,00			--
0021	LAFN05853		LEVER ARM SOLLEVAMENTO TERGI	2,00			--
0022	VTDD00176		NUT M.12 INOX A2 BASSO AUTOB.	1,00			--
0023	VTRS15978		WASHER D.12X24 UNI 6592 INX	1,00			--
0024	MPVR04734		BLOCK TERGI	1,00			--
0025	LAFN04188		PIN ROTAZIONE SQUEEGEE	1,00			--
0026	VTRS15978		WASHER D.12X24 UNI 6592 INX	1,00			--
0027	VTVT01686		SCREW TE M12X90	1,00			--
0028	LAFN07767		ARM -	1,00			--
0029	LAFN07768		SPACER -	1,00			--
0030	VTRS09142		WASHER D.12 X 36	1,00			--
0031	VTVT28884		SCREW TE M 12X 50 UNI 5737 INX	1,00			--
0032	VTDD00176		NUT M.12 INOX A2 BASSO AUTOB.	1,00			--
0033	RTRT00395		WHEEL -	1,00			--
0034	MPVR05684		WASHER -	1,00			--
0035	VTVT26818		SCREW M6x45 TSPEI UNI5933	1,00			--
0036	VTRS13945		WASHER D. 6X18 INX UNI 6593	1,00			--
0037	VTDD15520		NUT M 6 A2 UNI 5588 INX	1,00			--
0038	MPVR05637		BUSHING -	1,00			--
0039	LAFN04187		SPACER PER RIDUTTORE	1,00			--
0040	VTRS13945		WASHER D. 6X18 INX UNI 6593	1,00			--
0041	MLML48789		SPRING TR RHN	1,00			--



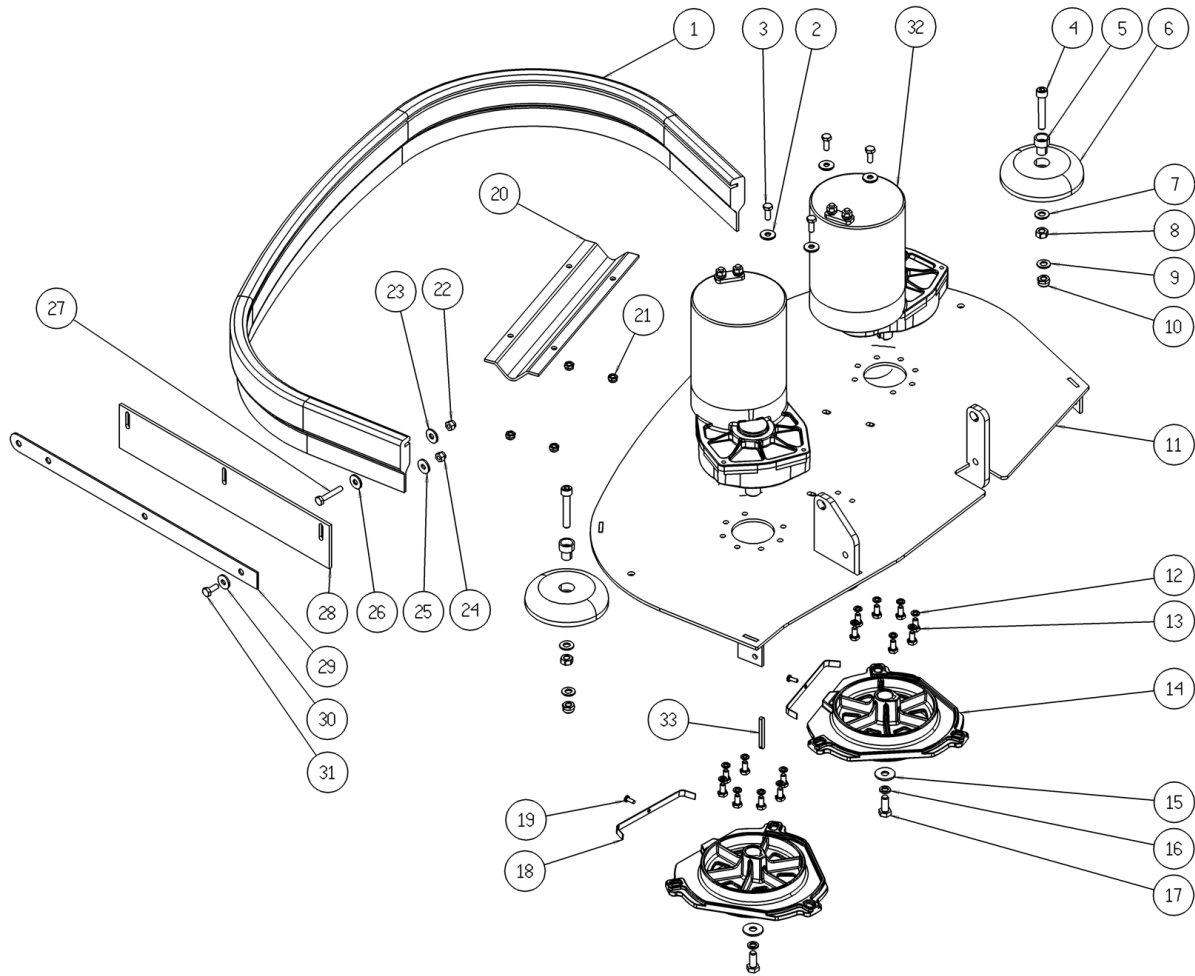
Ref. K	Part N.	Customer Part N.	Description	Qty	Validity: From To	Price
0042	VTDD01694		NUT M 6 INX	2,00	--	--
0043	VTDD01695		NUT M 8 INX	1,00	--	--
0044	VTRS13946		WASHER D. 8 X24 INX UNI 6593	1,00	--	--
0045	LAFN06924		LEVER -	1,00	--	--
0046	LAFN04190		BUSHING PARALLELOGR.TEST.GR.	1,00	--	--
0047	VTVT00410		SCREW TE M8x35 UNI5739 INOX	1,00	--	--
0048	VTVT00429		SCREW TE M 8X 40 INX UNI 5737	1,00	--	--
0049	VTRS13947		WASHER D. 8 INX UNI 6592	1,00	--	--
0050	LAFN04190		BUSHING PARALLELOGR.TEST.GR.	1,00	--	--
0051	VTRS13947		WASHER D. 8 INX UNI 6592	1,00	--	--
0052	VTDD01695		NUT M 8 INX	1,00	--	--
0053	LAFN07563		ARM -	1,00	--	--
0054	VTVT15907		SCREW TE 8X25 UNI5739 INX	1,00	--	--
0055	LAFN06391		BUSHING PARALLELOGRAMMA	1,00	--	--
0056	VTRS13946		WASHER D. 8 X24 INX UNI 6593	1,00	--	--
0057	VTDD01695		NUT M 8 INX	1,00	--	--
0058	VTVT15907		SCREW TE 8X25 UNI5739 INX	1,00	--	--
0059	LAFN06391		BUSHING PARALLELOGRAMMA	1,00	--	--
0060	LAFN06389		ARM PARALLELOGRAMMA	1,00	--	--
0061	VTRS13946		WASHER D. 8 X24 INX UNI 6593	1,00	--	--
0062	VTDD01695		NUT M 8 INX	1,00	--	--
0063	VTVT13937		SCREW TE M 8X 30 INX UNI 5739	2,00	--	--
0064	VTRS13946		WASHER D. 8 X24 INX UNI 6593	2,00	--	--
0065	RCDS34717		BUSHING D. 9X12X 8.3	2,00	--	--
0066	LAFN06391		BUSHING PARALLELOGRAMMA	2,00	--	--
0067	VTRS13947		WASHER D. 8 INX UNI 6592	2,00	--	--
0068	VTDD01695		NUT M 8 INX	2,00	--	--
0069	LAFN07766		TIE ROD -	1,00	--	--
0070	VTRS15144		WASHER D. 6 INX GRW UNI 1751	1,00	--	--
0071	VTVT15906		SCREW TE 6X 12 A2 UNI 5739	1,00	--	--
0072	FSVR00248		CLAMP -	1,00	--	--
0073	VTDD01694		NUT M 6 INX	2,00	--	--
0074	LAFN07781		BRACKET -	2,00	--	--
0075	VTVT13939		SCREW TE 6X20 UNI5739 INX	1,00	--	--
0076	LAFN07783		CONNECTOR -	1,00	--	--
0077	MPVR05744		THICKNESS -	1,00	--	--
0078	MPVR05745		THICKNESS -	1,00	--	--
0079	VTRS15978		WASHER D.12X24 UNI 6592 INX	1,00	--	--
0080	VTRS13945		WASHER D. 6X18 INX UNI 6593	1,00	--	--



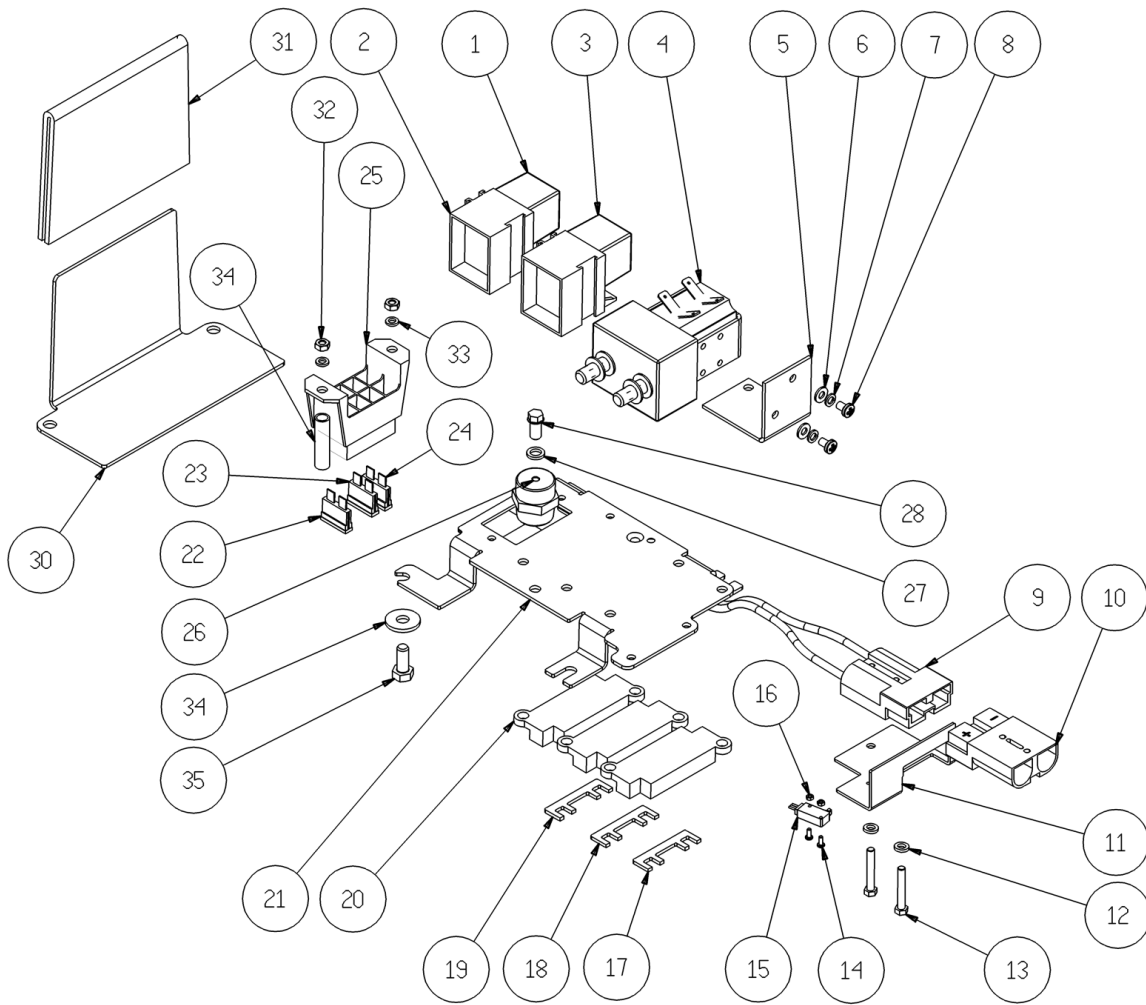
Ref. K	Part N.	Customer Part N.	Description	Qty	Validity: From	To	Price
0001	MOCC00022		CARBON X MOT.COD.MOCC86902	2,00			--
0001	MOCC00395		MOTOR	1,00			--
0002	VTVT15916		SCREW TE M 8X 16 UNI 5739 A2	1,00			--
0003	VTRS16323		WASHER D. 8 X32 UNI 6593 INX	1,00			--
0004	VTRS15146		WASHER D. 8 INX GRW UNI 1751	1,00			--
0005	RTRT00524		WHEEL -	1,00		05/2010	--
0005	RTRT00529		WHEEL D200	2,00	05/2010		--
0006	LAFN07565		SPACER -	1,00			--
0007	CUVR43254		BUSHING CB 85 1010 18T	2,00			--
0008	LAFN07741		PIN -	1,00			--
0009	VTRS13947		WASHER D. 8 INX UNI 6592	2,00			--
0010	VTDD01695		NUT M 8 INX	2,00			--
0011	VTAE06193		CIRCLIP D. 20 UNI 7435	1,00			--
0012	CUVR19846		BALL BEARING 6004 2RS1	1,00			--
0013	VTVT00717		SCREW TCEI M. 6-16	2,00			--
0014	VTRS15144		WASHER D. 6 INX GRW UNI 1751	2,00			--
0015	LAFN06903		SUPPORT DX	1,00			--
0016	VTDD01695		NUT M 8 INX	2,00			--
0017	VTRS13947		WASHER D. 8 INX UNI 6592	2,00			--
0018	LAFN07742		PIN -	1,00			--
0019	CUVR43254		BUSHING CB 85 1010 18T	2,00			--
0020	LAFN07566		SPACER -	1,00			--
0021	VTDD01694		NUT M 6 INX	4,00			--
0022	VTRS00245		WASHER D.6 UNI 6592 INOX	4,00			--
0023	VTRS15146		WASHER D. 8 INX GRW UNI 1751	3,00			--
0024	VTVT00876		SCREW TCEI M.8-16	3,00			--
0025	CUVR19846		BALL BEARING 6004 2RS1	1,00			--
0026	VTAE06193		CIRCLIP D. 20 UNI 7435	1,00			--
0027	RTRT00524		WHEEL -	1,00			--
0028	VTRS15146		WASHER D. 8 INX GRW UNI 1751	1,00			--
0029	VTRS16323		WASHER D. 8 X32 UNI 6593 INX	1,00			--
0030	VTVT15916		SCREW TE M 8X 16 UNI 5739 A2	1,00			--
0031	LAFN06904		SUPPORT SX	1,00			--
0032	VTVT26818		SCREW M6x45 TSPEI UNI5933	2,00			--
0033	VTVT29523		SCREW M 6X 35 TSPEI UNI 5933	2,00			--
0034	MPVR05682		GUIDE -	2,00			--
0035	MPVR05683		PLATE -	1,00			--
0036	MPVR05687		SPACER -	4,00			--
0037	VTVT01683		SCREW TE 6X40	4,00			--



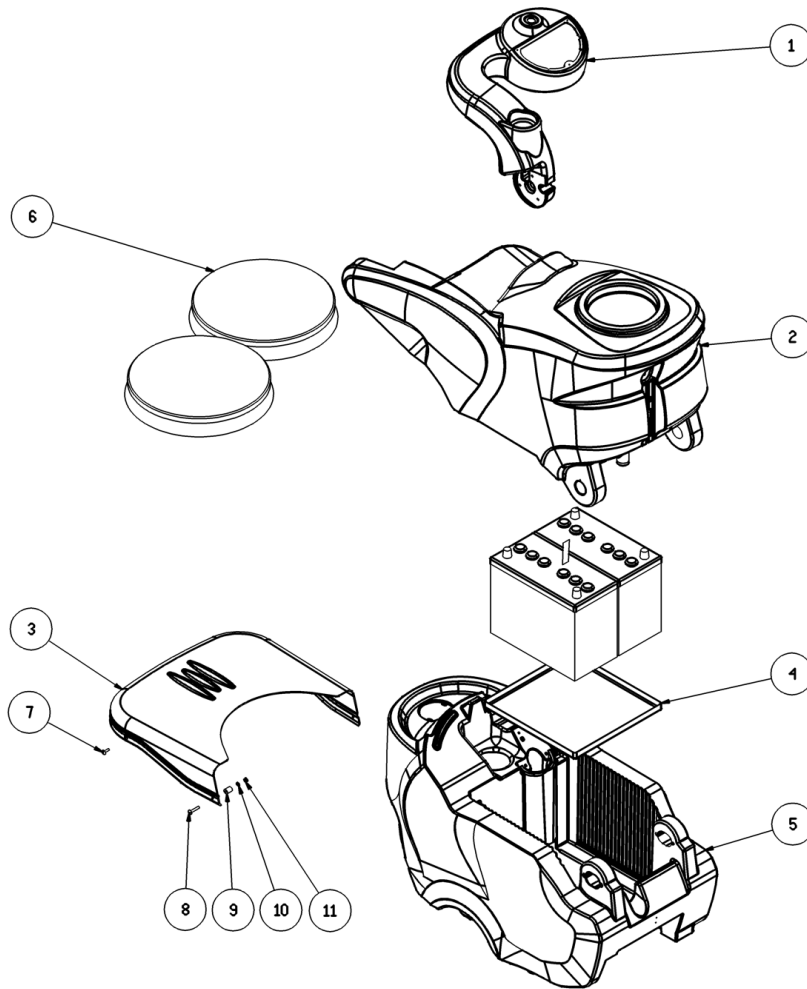
Ref. K	Part N.	Customer Part N.	Description	Qty	Validity:		Price
					From	To	
0038	VTRS00245		WASHER D.6 UNI 6592 INOX	4,00			--
0039	VTDD01694		NUT M 6 INX	4,00			--
0040	LAFN07456		SUPPORT -	1,00			--
0041	VTVR33668		KEY 6x 6x40 UNI 6604A	2,00			--



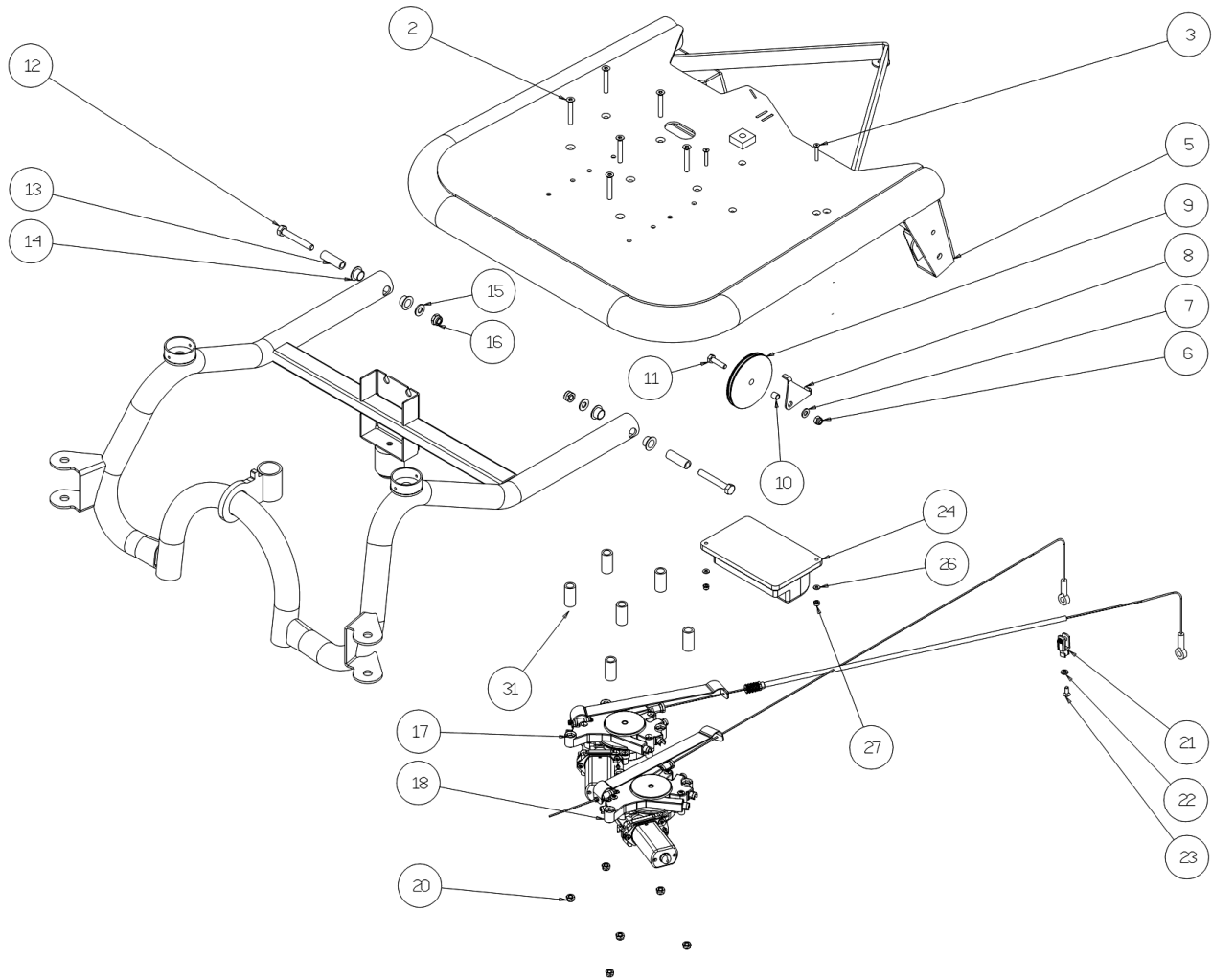
Ref. K	Part N.	Customer Part N.	Description	Qty	Validity:		Price
					From	To	
0001	MPVR05232		BUMPER -	1,00			--
0002	VTRS13945		WASHER D. 6X18 INX UNI 6593	4,00			--
0003	VTVT15143		SCREW TE 6X16 UNI5739	4,00			--
0004	VTVT00775		SCREW TCEI M 8X40 ZC.BK UNI5931	2,00			--
0005	LAFN03915		BUSHING NUOVO RUOTINO STRONG	2,00			--
0006	MPVR05290		ROLLER PARACOLPI	2,00			--
0007	VTRS13947		WASHER D. 8 INX UNI 6592	2,00			--
0008	VTDD15521		NUT M 8 INX A2 UNI 5588	2,00			--
0009	VTRS13947		WASHER D. 8 INX UNI 6592	2,00			--
0010	VTDD01695		NUT M 8 INX	2,00			--
0011	LAFN06723		PLATE -	1,00			--
0012	VTRS15144		WASHER D. 6 INX GRW UNI 1751	14,00			--
0013	VTVT15906		SCREW TE 6X 12 A2 UNI 5739	14,00			--
0014	MFVR00212		DRIVE DISK	2,00			--
0015	VTRS13946		WASHER D. 8 X24 INX UNI 6593	2,00			--
0016	VTRS15146		WASHER D. 8 INX GRW UNI 1751	2,00			--
0017	VTVT13938		SCREW TE 8X20 UNI5739 INX	2,00			--
0018	MLML00328		SPRING -	2,00			--
0019	VTVT21887		SCREW TCB-TC 4X10 8112	2,00			--
0020	LAFN07236		DISTRIBUTOR 70	1,00			--
0021	VTDD01694		NUT M 6 INX	4,00			--
0022	VTDD01694		NUT M 6 INX	5,00			--
0023	VTRS13945		WASHER D. 6X18 INX UNI 6593	5,00			--
0024	VTDD00175		NUT M.6 TONDO FILET.4 PUNTE	8,00			--
0025	MPVR35582		RUBBER LAV.	8,00			--
0026	VTRS13945		WASHER D. 6X18 INX UNI 6593	5,00			--
0027	VTVT00392		SCREW M6x35 UNI5739 inox	5,00			--
0028	MPVR04746		FLAP 355X63 sp.4	2,00			--
0029	MPVR05207		SHEET METAL PA.FLAP	2,00			--
0030	VTRS13945		WASHER D. 6X18 INX UNI 6593	8,00			--
0031	VTVT15143		SCREW TE 6X16 UNI5739	8,00			--
0032	MOCC00328		MOTOR -	2,00			--
0032	MOCC00344		BRUSH -	4,00			--
0033	VTVR16617		KEY 6X 6X30 UNI 6604	2,00			--



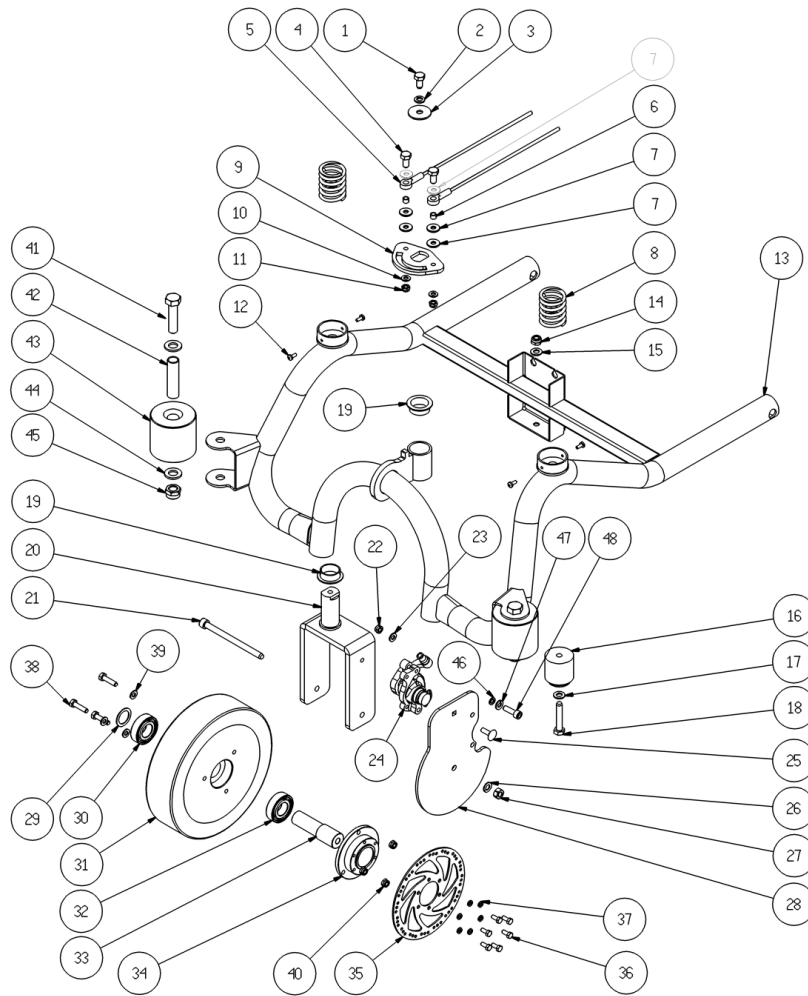
Ref. K	Part N.	Customer Part N.	Description	Qty	Validity:		Price
					From	To	
0001	MERL00006		SWITCH RELAY R502 024 H3M 1NO 80A	1,00			--
0002	METT00053		BLOCK PORTA RELE'	2,00			--
0003	MERL00006		SWITCH RELAY R502 024 H3M 1NO 80A	1,00			--
0004	METT00085		CONTACTOR 100A	1,00			--
0005	LAFN07746		BRACKET -	1,00			--
0009	MEVR01707		CONNECTOR -	1,00			--
0010	MEVR01079		PLUG M CB50 A 600V RD.	1,00			--
0011	LAFN06409		SUPPORT -	1,00			--
0012	VTRS15913		WASHER D. 4 GROVER A2 UNI1751	2,00			--
0013	VTVT00814		SCREW TE M.4-25	2,00			--
0014	VTVT00671		SCREW TC- M.2-16 OTTONE	2,00			--
0015	MECI00334		MICROSWITCH V4	1,00			--
0016	VTDD08634		NUT M2	2,00			--
0017	MEVR00604		FUSE	1,00			--
0018	MEVR02887		FUSE 40A NST.	1,00			--
0019	MEVR00604		FUSE	1,00			--
0020	MEVR01332		FUSE-HOLDER	3,00			--
0021	LAFN07460		SUPPORT -	1,00			--
0022	MEVR01380		FUSE A LAMA	1,00			--
0023	MEVR01428		FUSE A LAMA 2 A. UNIVAL	1,00			--
0024	MEVR01134		CARRYNG BAG	1,00			--
0025	MEVR00030		FUSE-HOLDER 4 VIE COPERCHIO TRAS.	1,00			--
0026	MEVR44054		INSULATOR M6 20-CH17	1,00			--
0030	LAFN07803		PLATE -	1,00			--
0031	GUVR00295		GASKET -	1,00			--
0032	VTDD00147		NUT M 4 INX U.5588	2,00			--
0033	VTRS15913		WASHER D. 4 GROVER A2 UNI1751	2,00			--
0034	VTRS13750		WASHER D. 5X14 INX	4,00			--
0035	VTVT01300		SCREW TE M5X12 INOX	4,00			--



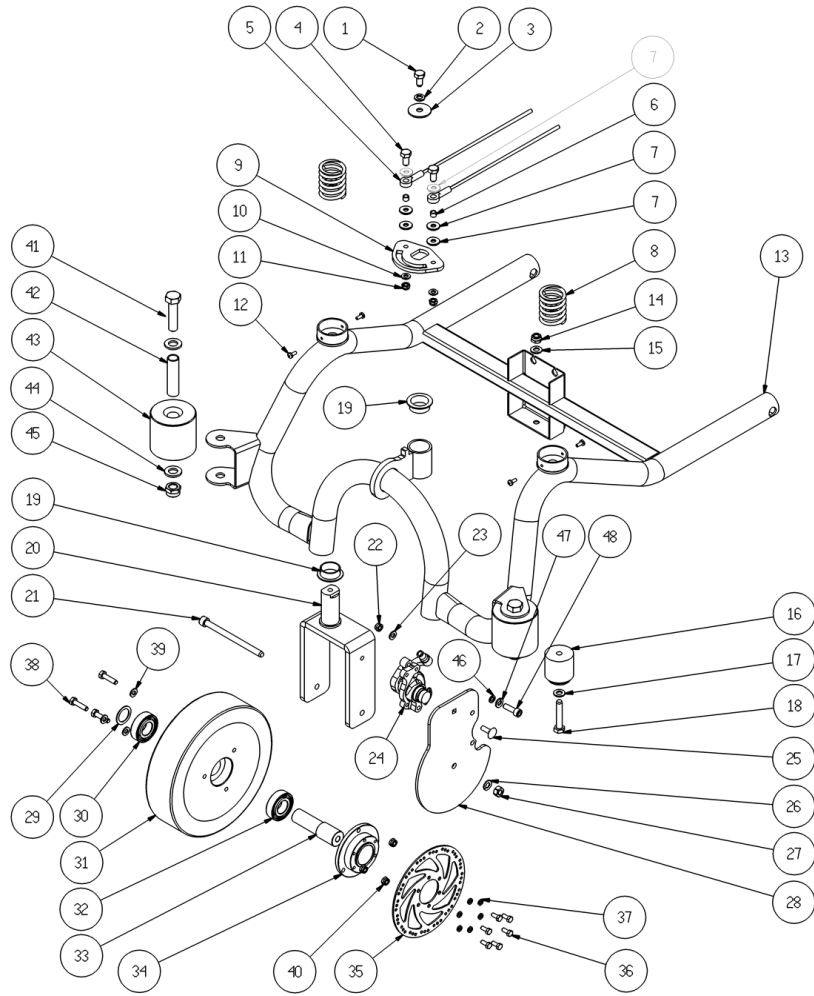
Ref. K	Part N.	Customer Part N.	Description	Qty	Validity:		Price
					From	To	
0001	MPVR05784		ARM CT70 RIDER	1,00			--
0002	MPVR05783		TANK RECUPERO CT70 RIDER ECS	1,00			--
0003	MPVR05779		COVER	1,00			--
0004	LAFN35588		BATTERY SUPPORTLAV. BT	1,00			--
0005	MPVR05559		TANK SOLUZIONE CT75	1,00			--
0006	SPPV47749		BRUSH NYLON 0.8 D.340 BT 7000	2,00			--
0007	VTVT00858		SCREW	2,00			--
0008	VTVT01370		SCREW M6X35	2,00			--
0009	MPVR05687		SPACER -	2,00			--
0010	VTRS00245		WASHER D.6 UNI 6592 INOX	2,00			--
0011	VTDD01694		NUT M 6 INX	2,00			--



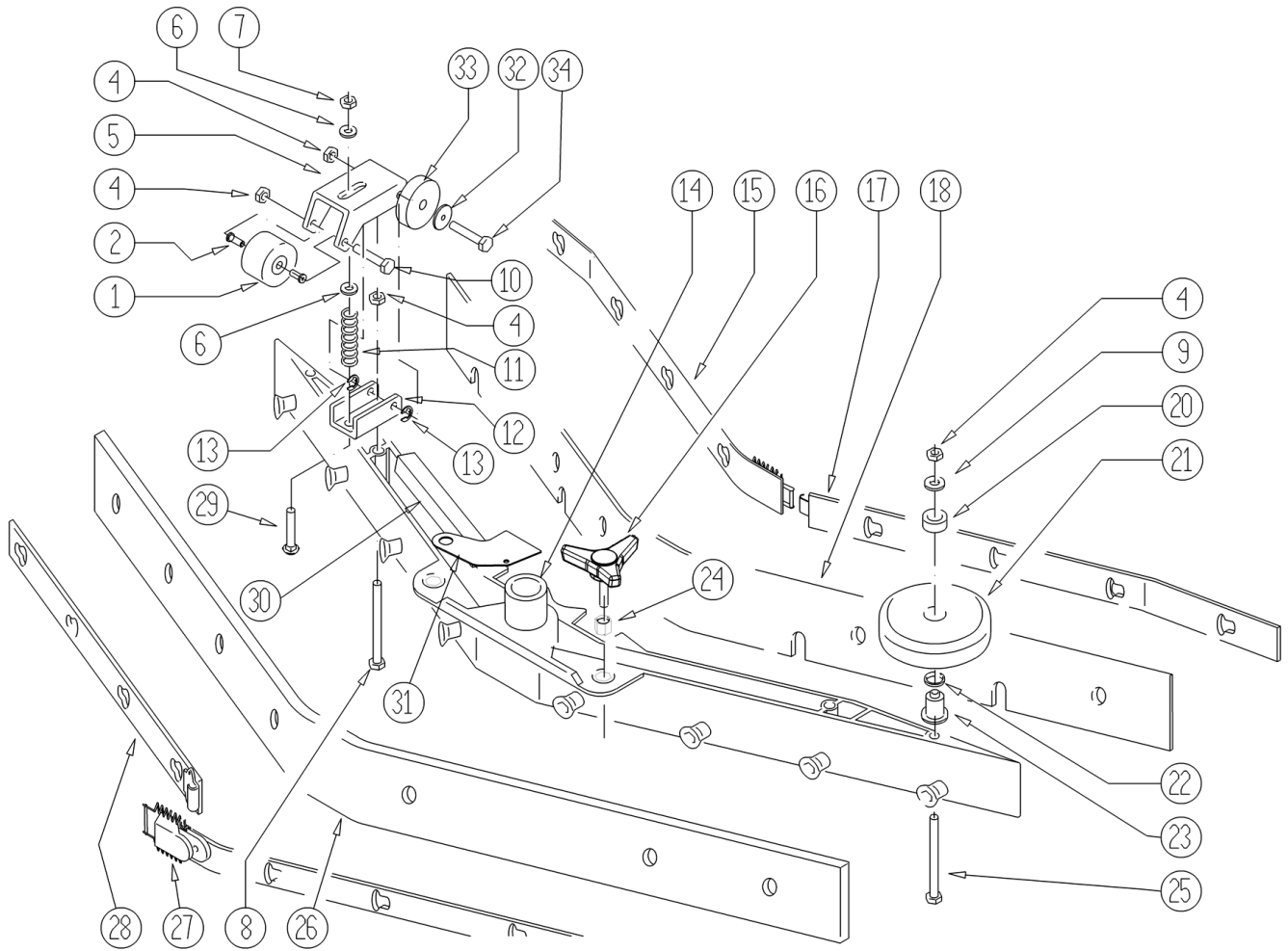
Ref. K	Part N.	Customer Part N.	Description	Qty	Validity:		Price
					From	To	
0002	VTVT01689		SCREW TSEI 6X55	6,00			--
0003	VTVT00877		SCREW TSPEI UNI5933	2,00			--
0005	LAFN07857		PLANE -	1,00			--
0006	VTDD01694		NUT M 6 INX	1,00			--
0007	VTRS00245		WASHER D.6 UNI 6592 INOX	1,00			--
0008	LAFN07572		SHEET METAL PA.-	1,00			--
0009	MTPL00200		PULLEY 1450	1,00			--
0010	LAFN07571		SPACER -	1,00			--
0011	VTVT15141		SCREW TE M 6X 25 UNI 5739 INX	1,00			--
0012	VTVT00728		SCREW TE M. 8-55	2,00			--
0013	LAFN06926		PIN -	2,00			--
0014	CUVR00130		BEARING STRISCIAMENTO	4,00			--
0015	VTRS13947		WASHER D. 8 INX UNI 6592	2,00			--
0016	VTDD01695		NUT M 8 INX	2,00			--
0017	MOCC00365		ATUATOR -	1,00			--
0018	MOCC00364		ATUATOR -	1,00			--
0020	VTDD01694		NUT M 6 INX	6,00			--
0021	CMCV00001		FORK UNI 1676 M8X16	1,00			--
0021	CMCV75718		CLIP UNI 1676 M8	1,00			--
0022	VTRS15146		WASHER D. 8 INX GRW UNI 1751	1,00			--
0023	VTVT13938		SCREW TE 8X20 UNI5739 INX	1,00			--
0024	MECE00496		BOARD CT70 RIDER	1,00			--
0026	VTRS00515		WASHER D. 4 INX	2,00			--
0027	VTDD00055		NUT M 4 ATB A2	2,00			--
0031	MPVR05820		SPACER -	6,00			--



Ref. K	Part N.	Customer Part N.	Description	Qty	Validity: From To	Price
0001	VTVT15916		SCREW TE M 8X 16 UNI 5739 A2	1,00		--
0002	VTRS15146		WASHER D. 8 INX GRW UNI 1751	1,00		--
0003	VTRS16323		WASHER D. 8 X32 UNI 6593 INX	1,00		--
0004	VTVT15141		SCREW TE M 6X 25 UNI 5739 INX	2,00		--
0005	CMCV00446		CABLE -	2,00		--
0006	LAFN07876		SPACER -	2,00		--
0007	VTRS00245		WASHER D.6 UNI 6592 INOX	6,00		--
0008	MLML00324		SPRING -	2,00		--
0009	LAFN06912		PLATE -	1,00		--
0010	VTRS00245		WASHER D.6 UNI 6592 INOX	2,00		--
0011	VTDD01694		NUT M 6 INX	2,00		--
0012	VTVT01004		SCREW TC+ M4 X 10 TRILOBATA	4,00		--
0013	LAFN07858		TUBE -	1,00		--
0014	VTDD01695		NUT M 8 INX	1,00		--
0015	VTRS13947		WASHER D. 8 INX UNI 6592	1,00		--
0016	ABGO00017		PLUG D.40x50	1,00		--
0017	VTRS13947		WASHER D. 8 INX UNI 6592	1,00		--
0018	VTVT15917		SCREW TE M 8X50 INOX A2 UNI	1,00		--
0019	MPVR05408		BUSHING CB	2,00		--
0020	LAFN06913		BRACKET -	1,00		--
0021	VTVT67560		SCREW TCEI M8X110 INOX AISI 304	1,00		--
0022	VTDD01694		NUT M 6 INX	1,00		--
0023	VTRS00245		WASHER D.6 UNI 6592 INOX	1,00		--
0024	LAFN07569		BRAKE -	1,00		--
0025	VTVT00745		SCREW TTQST M 6X 20 UNI5732 IX	1,00		--
0026	VTRS15146		WASHER D. 8 INX GRW UNI 1751	1,00		--
0027	VTDD15521		NUT M 8 INX A2 UNI 5588	1,00		--
0028	LAFN07567		PLATE -	1,00		--
0029	VTRS00032		THICKNESS 20,2X28X1 DIN 988	1,00		--
0030	CUVR19846		BALL BEARING 6004 2RS1	1,00		--
0031	RTRT00530		WHEEL D200	1,00		--
0032	CUVR19846		BALL BEARING 6004 2RS1	1,00		--
0033	LAFN06914		PIN -	1,00		--
0034	LAFN07570		SPACER -	1,00		--
0035	LAFN07569		BRAKE -	1,00		--
0036	VTVT01300		SCREW TE M5X12 INOX	6,00		--
0037	VTRS15908		WASHER D. 5 INX GRW UNI 1751	6,00		--
0038	VTVT00714		CARRYNG BAG	3,00		--
0039	VTRS00245		WASHER D.6 UNI 6592 INOX	3,00		--



Ref. K	Part N.	Customer Part N.	Description	Qty	Validity:		Price
					From	To	
0040	VTDD01694		NUT M 6 INX	3,00			--
0041	VTVT01686		SCREW TE M12X90	2,00			--
0042	LAFN08803		SPACER -	2,00			--
0043	MPVR05607		ROLLER -	2,00			--
0044	VTRS15978		WASHER D.12X24 UNI 6592 INX	2,00			--
0045	VTDD00176		NUT M.12 INOX A2 BASSO AUTOB.	2,00			--
0046	VTRS00245		WASHER D.6 UNI 6592 INOX	2,00			--
0047	VTRS15144		WASHER D. 6 INX GRW UNI 1751	2,00			--
0048	VTVT00717		SCREW TCEI M. 6-16	2,00			--



Ref. K	Part N.	Customer Part N.	Description	Qty	Validity: From	To	Price
0001	RTRT00379		WHEEL	2,00			--
0002	LAFN40138		SPACER	4,00			--
0004	VTDD01694		NUT M 6 INX	8,00			--
0005	LAFN05559		SUPPORT RUOTINO	2,00			--
0006	VTRS13947		WASHER D. 8 INX UNI 6592	4,00			--
0007	VTDD01695		NUT M 8 INX	2,00			--
0008	VTVT15142		SCREW TE M 6x45 INOX	2,00			--
0009	VTRS00245		WASHER D.6 UNI 6592 INOX	2,00			--
0010	VTVT15515		SCREW TE M 6X 50 INOX A2	4,00			--
0011	MLML49422		SPRING D.15X 45 X1	2,00			--
0012	LAFN51069		BRACKET SUPP.RUOTINO SQUEEGEE	2,00			--
0013	VTAE45707		CIRCLIP D. 6 UNI 7434 INOX	4,00			--
0014	MFVR00140		BODY SQUEEGEE PRESSOFUSO	1,00			--
0015	LAFN51047		LAMINATION BLOCCA LAMA ANTER.SX "L"	1,00			--
0016	MPVR05265		KNOB 8X25	2,00			--
0017	LAFN51046		LAMINATION BLOCCA LAMA ANTER.DX "L"	1,00			--
0018	MPVR48380		RUBBER BLADE LAV. 890	1,00			--
0020	MPVR49229		BUSHING SHK	2,00			--
0021	MPVR05290		ROLLER PARACOLPI	2,00			--
0022	GUGO00164		GASKET	2,00			--
0023	LAFN04100		SPACER PER RUOTINO PARACOLPI	2,00			--
0024	VTVR00022		INSERT FILETTATO ESAGONALE M8	2,00			--
0025	VTVT00841		SCREW TE M. 6-65	2,00			--
0026	MPVR48379		RUBBER BLADE LAV. 890 PARA	1,00			--
0027	LAFN05675		BLADE HOLDER POSTERIORE DX (L)	1,00			--
0028	LAFN05674		BLADE HOLDER POSTERIORE SX (L)	1,00			--
0029	VTVT01304		SCREW M 8X 40 TTQST UNI 5731	2,00			--
0030	LAFN51039		WEIGHT IN QUADRO X SQUEEG.	2,00			--
0031	LAFN07805		SHEET METAL PA.-	2,00			--
0032	VTRS16937		WASHER 6x24 INOX UNI 6593	2,00			--
0033	MPVR04729		WASHER RUBBER 8X40 40SH	2,00			--
0034	VTVT17342		SCREW TE M 6X 60 UNI 5739 INX	2,00			--